



PhraseApp

PhraseApp on Kubernetes

Tobias Schwab, Co-Founder of PhraseApp

WiFi: rubyug : #foobaz

Slides: <http://bit.ly/phraseapp-on-k8s>

Deployment Milestones

- 2012-01** Capistrano on Hetzner (single app server)
- 2013-02 First AMI based ruby deployment on AWS



Jeff Lindsay

@progrium

 **Folgen**



My toy PaaS let's you deploy with git and supports Heroku buildpacks. Just Docker and 350 lines of Bash, built in 6 hours.

 Original (Englisch) übersetzen

RETWEETS
17

GEFÄLLT
17



08:59 - 23. Mai 2013

 2

 17

 17

Deployment Milestones

- 2013-09 First high traffic RailsApp deployed with docker
- 2014-06** Pre-baked AMIs on AWS via Cloudformation + ASGs
- 2015-03** Custom docker deployment on AWS (wunderproxy)
- 2016-03 Begin of evaluation (ECS vs. Kubernetes)
- 2016-04 Kubernetes talk at Ruby UG Hamburg
- 2016-05 Initial commit to kc
- 2016-06 Growth app deployed with Kubernetes
- 2017-02** PhraseApp on Kubernetes



Framework to build **distributed applications**

Pods

Set of tightly coupled containers running on a **single node**

- dedicated ip
- shared network interface
- shared file system
- labels

Pods: manifest

```
kind: Pod
apiVersion: v1
metadata:
  name: hello
  labels:
    run: hello
spec:
  containers:
  - name: hello
    image: phraseapp/hello:v1
```


Services

Policy to access a **logical set** of pods

- DNS name
- IP
- port mapping

Services: manifest

```
apiVersion: v1
kind: Service
metadata:
  labels:
    run: hello
  name: hello
spec:
  ports:
  - port: 80
    targetPort: 8080
    protocol: TCP
  selector:
    run: hello
```

Deployments

declarative Pod updates

- image
- ENV
- configuration files
- labels

Architecture PhraseApp

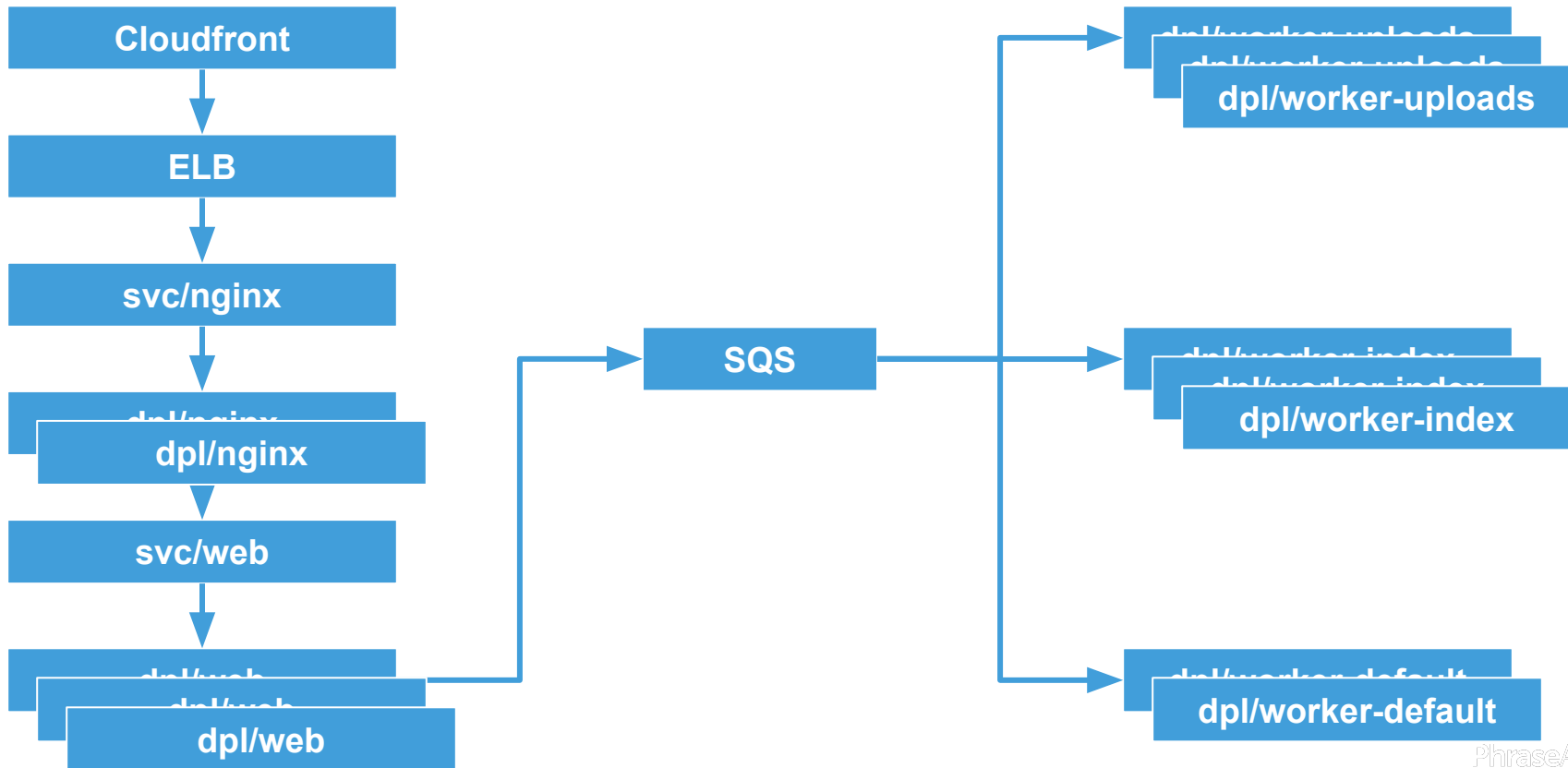


Image Building

- Dockerfile in repository
- triggered on master changes
- build container in cluster
- Gemfile caching
- Asset pipeline
- AWS/ECR

Deployment

- *kc prod deploy*
- kc: generic way to deploy any containerized app into a kubernetes cluster
- Update multiple deployments at once
- Wait for deployments to finish

Migrations

- Can be configured in kc via hook
- Executed with new image with current ENV in separate container
- Pre-check with prompt
- Abort on failure

Cronjobs

- Executed via jenkins (running in cluster)
- *kc run*
- Each job creates new container with current image and ENV
- Jenkins task waits for jobs to finish (only one job at a time)

Staging / Preview

- Running in the same cluster
- Separate kc config
- Separate ELB (TCP only)
- Nginx ingress
- TLS via kube-lego
- Basic-Auth Proxy (because SEO)

Translate Language Files Online in Minutes.

No more spreadsheets. Collaborate with translators in our software.
Outsourced translation services available.

Start Your Free 14-Day Trial



Reach global audiences



Automate localization tasks



Save up to 60% in process time

Trusted by global brands and technology leaders

H I R E D



HIDE



Search translations on this page

layouts.application.home.index.page_title

PhraseApp: Software Translation Management

meta.description

Automate localization processes with PhraseApp. Edit language files online with your team of transla...

application.application.navigation.toggle_navigation

Toggle Navigation

en

Translate Language Files Online in Minutes.

Source Translation

Meta

en

Translate Language Files Online in Minutes.]

Pluralization

Discard

Save Translation

In-Context Editor

- Similar config as preview/staging
- Separate MySQL instance in cluster
- Separate Redis instance in cluster
- Separate Elasticsearch instance in cluster

DEMO

deployment/nginx

- Versioned ConfigMap
- Custom nginx image
- ngx_headers_more

Logging

- All important information in single nginx line
- Rails App passes information via HTTP header
- Fluted as DaemonSet on all nodes
- Kinesis-Firehose → S3 → SQS → k8s → ES
- Kibana

Monitoring

- Prometheus in cluster
- Node-Exporter as DaemonSet
- Kubernetes metrics from kubelet
- ...

Benefits

- No more (chef, puppet, etc.)
- Fully transparent infrastructure
- Better resource utilization, bigger instances
- New services deployed in zero time
- Easy to scale cluster up and down

Outlook

- Kops: advanced kubernetes cluster management on AWS
- Extract first components from monolith via GRPC

Resources

- <https://kubernetes.io>
- <https://github.com/jetstack/kube-lego>
- <https://github.com/kubernetes/ingress/tree/master/controllers/nginx>
- <https://github.com/kubernetes/kops>
- <https://prometheus.io/>
- <http://www.fluentd.org/>
- <http://www.grpc.io/>



PhraseApp

We are always looking for talent!

Grab some swag, if you want!

@tobstarr

tobias@phraseapp.com

phraseapp.com